



# Kraus & Naimer

BLUE LINE switchgear

since 1907

## Switch Disconnectors for *Photovoltaic Systems*



**NOW EVEN  
BIGGER RANGE**

Detailed information relating  
to application, rating, mounting  
and correct installation

For free expert advice and  
technical help call our team

**01635 262626**

[www.krausnaimer.co.uk](http://www.krausnaimer.co.uk)

DC SWITCH-DISCONNECTOR SELECTION TABLES - UTILISATION CATEGORY DC-21B

SINGLE STRING

Page	450V	500V	650V	800V	920V	1000V	Order code
2	25A	21A	20A	18A	11A		<b>KG20 T104/D-P003 KL51V</b>
2	28A	28A	25A	23A	15A	12A	<b>KG32 T104/D-P003 KL51V</b>
2	40A						<b>KG41 T104/D-P003 KL11V</b>
3				21A		20A	<b>KG20B T106/D-P003 KL11V</b>
3			27A	27A		25A	<b>KG32B T106/D-P003 KL11V</b>
3		40A	40A	28A			<b>KG41B T106/D-P003 KL11V</b>
4						26A	<b>KG32B T108/D-P003 KL11V</b>
4					40A	35A	<b>KG41B T108/D-P003 KL11V</b>
5	60A	60A	60A				<b>KG80C T106/D-P003 STM</b>
5				60A			<b>KG80C T108/D-P003 STM</b>



TWO STRING - RATINGS PER STRING

Page	220V	280V	340V	400V	460V	500V	Order code
6	25A	21A	20A	18A	11A		<b>KG20 T104/GB-P103 KL51V</b>
6	28A	28A	25A	23A	15A	12A	<b>KG32 T104/GB-P103 KL51V</b>
6	40A						<b>KG41 T104/GB-P103 KL11V</b>
Page	330V	420V	510V	600V	690V	750V	Order code
7	25A	21A	20A	18A	11A		<b>KG20B T106/GB-P103 KL11V</b>
7	27A	27A	25A	23A	15A	12A	<b>KG32B T106/GB-P103 KL11V</b>
7	40A	28A					<b>KG41B T106/GB-P103 KL11V</b>
Page	440V	560V	680V	800V	920V	1000V	Order code
8	25A	21A	20A	18A	11A		<b>KG20B T108/GB-P103 KL11V</b>
8	26A	26A	25A	23A	15A	12A	<b>KG32B T108/GB-P103 KL11V</b>
8	40A	28A					<b>KG41B T108/GB-P103 KL11V</b>



AC SWITCH-DISCONNECTOR SELECTION TABLE

Operational current AC-21A	Insulation voltage Ui	3 POLE Order code	Page	4 POLE Order code	Page
25A	690V	<b>KG20 T203/GBA270 *KS1V</b>	10	<b>KG20 T204/GBA290 *KS1V</b>	11
25A	690V	<b>KG20 T203/GBA294 *KL<sup>†</sup></b>	10	<b>KG20 T204/GBA486 KL51V<sup>†</sup></b>	11
32A	690V	<b>KG32 T203/GBA294 *KL<sup>†</sup></b>	10	<b>KG32 T204/GBA486 KL51V<sup>†</sup></b>	11
40A	690V	<b>KG41 T203/GBA270 *KL1V</b>	10	<b>KG41 T204/GBA290 *KL1V</b>	11

<sup>†</sup> Larger enclosure to match KG20/32 T104 DC enclosure



UTILISATION CATEGORY

DC-21 is a utilisation category which relates to the switching of resistive loads including moderate overloads.

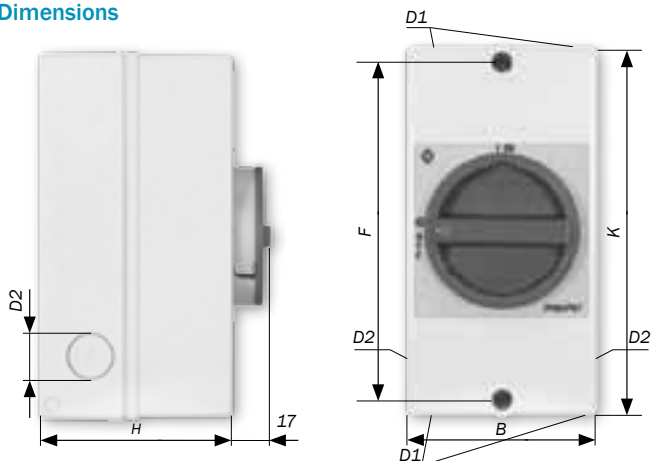
The designation of utilisation categories is completed by the suffix A or B according to whether the intended applications require frequent or infrequent operations.

Utilisation categories with suffix B are appropriate for devices which, due to design or application, are only intended for infrequent operation. This could apply, for example, to switch-

disconnectors normally only operated to provide isolation for maintenance work.

Please select the correct switch-disconnector according to the maximum voltage and current output of all upstream PV modules, this must include all corrective factors according to relevant standards.

**Dimensions**

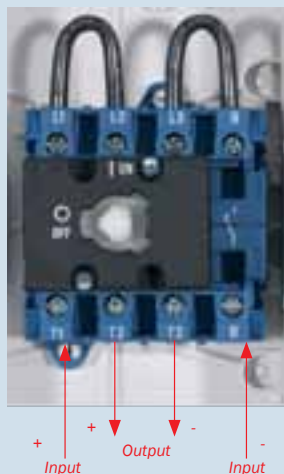


	<b>KG20/KG32</b>	<b>KG41</b>
B	85	100
D1	4 x Ø 20	4 x Ø 25
D2	2 x Ø 20	2 x Ø 25
F	150	178
H	82	93
K	160	190

**Mounting**

- Insulated enclosure, protection IP66/67, Class II insulation, knock-out entries, black handle and contrasting grey escutcheon plate, OFF-position lockable with padlocks, switch interlocked with lid to prevent opening in 'ON' position, optional Red/Yellow handle available for use as Main/Emergency Off DC Switch-Disconnecter.

**Connection Guide**



<b>Connecting diagram</b>	<b>Tightening torque for terminal screws</b>	<b>Strip length</b>
	KG20/ KG32     1,25Nm	KG20/ KG32     9
	KG41     1,80Nm	KG41     10

**Maximum permissible wire gauge (use copper wire only)**  
 Single core wire or stranded wire    KG20/KG32:6mm<sup>2</sup>    KG41:16mm<sup>2</sup>  
 Flexible wire                                    KG20/KG32:4mm<sup>2</sup>    KG41:10mm<sup>2</sup>



DC Switch-Disconnectors for solar photovoltaic (PV) power supply system acc. to IEC 60364-7-712:2002.

**General Data**

- Switch-Disconnectors according to EN 60947-3 respectively VDE part 107
- Utilisation Category:  
DC-21B for Photovoltaic application
- Ambient Temperature:  
50°C during 24 hours with peaks up to 55°C
- Terminals:  
Finger-proof according to VDE 0660-514 and BGV A3, IP 20
- Insulation Voltage: 1000V
- 2 Pole, 4 contacts (2x2 in series)

**Rated Value & Order Number**

<b>Operational voltage</b>	<b>Operational current</b>	<b>Order number</b>
450V	25A	<b>KG20 T104/D-P003 KL51V</b>
450V	40A	<b>KG41 T104/D-P003 KL11V</b>
500V	21A	<b>KG20 T104/D-P003 KL51V</b>
500V	28A	<b>KG32 T104/D-P003 KL51V</b>
650V	20A	<b>KG20 T104/D-P003 KL51V</b>
650V	25A	<b>KG32 T104/D-P003 KL51V</b>
800V	18A	<b>KG20 T104/D-P003 KL51V</b>
800V	23A	<b>KG32 T104/D-P003 KL51V</b>
920V	11A	<b>KG20 T104/D-P003 KL51V</b>
920V	15A	<b>KG32 T104/D-P003 KL51V</b>
1000V	12A	<b>KG32 T104/D-P003 KL51V</b>

Data valid only if the pre-assembled jumpers have not been modified.



DC Switch-Disconnectors for solar photovoltaic (PV) power supply system acc. to IEC 60364-7-712:2002.

**General Data**

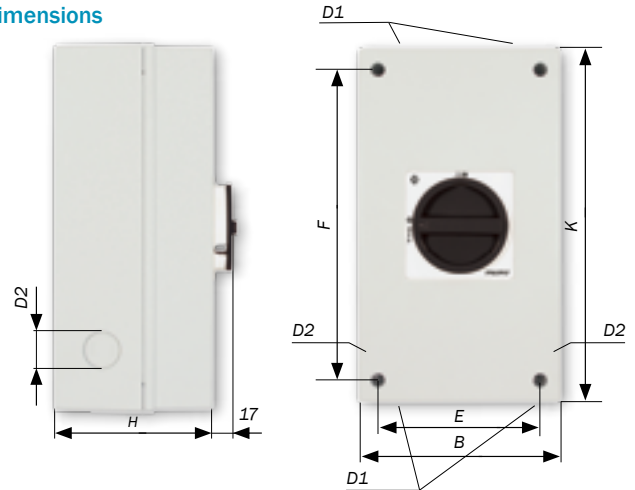
- Switch-Disconnectors according to EN 60947-3 respectively VDE 0660 part 107
- Utilisation Category: DC-21B for Photovoltaic application
- Ambient Temperature: 50°C during 24 hours with peaks up to 55°C
- Terminals: Finger-proof according to VDE 0660-514 and BGV A3, IP 20
- Insulation Voltage: 1000V
- 2 Pole, 6 contacts (2x3 in series)

**Rated Value & Order Number**

Operational voltage	Operational current	Order number
500V	40A	<b>KG41B T106/D-P003 KL11V</b>
650V	27A	<b>KG32B T106/D-P003 KL11V</b>
650V	40A	<b>KG41B T106/D-P003 KL11V</b>
800V	21A	<b>KG20B T106/D-P003 KL11V</b>
800V	27A	<b>KG32B T106/D-P003 KL11V</b>
800V	28A	<b>KG41B T106/D-P003 KL11V</b>
1000V	20A	<b>KG20B T106/D-P003 KL11V</b>
1000V	25A	<b>KG32B T106/D-P003 KL11V</b>

Data valid only if the pre-assembled jumpers have not been modified.

**Dimensions**

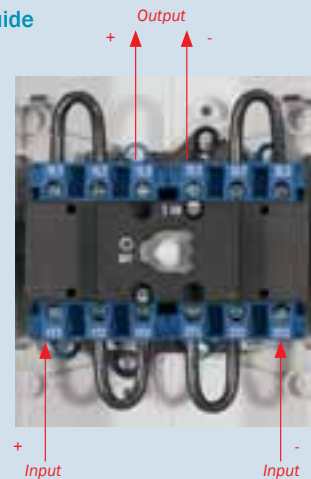


	<b>KG20B/KG32B</b>	<b>KG41B</b>
B	100	145
E	-	124
D1	4 x Ø 25	4 x Ø 25
D2	2 x Ø 25	2 x Ø 25
F	178	229
H	93	107
K	190	250

**Mounting**

- Insulated enclosure, protection IP66/67, Class II Insulation, knock-out entries, black handle and contrasting grey escutcheon plate, OFF-position lockable with padlocks, switch interlocked with lid to prevent opening in 'ON' position, optional Red/Yellow handle available for use as Main/Emergency Off DC Switch-Disconnector.

**Connection Guide**

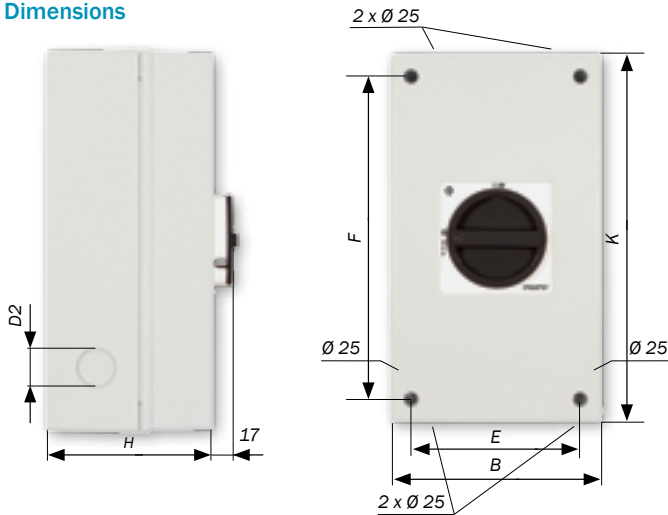


Connecting diagram	Tightening torque for terminal screws	Strip length
	KG20B/ KG32B    1,25Nm	KG20B/ KG32B    9
	KG41B    1,80Nm	KG41B    10

**Maximum permissible wire gauge (use copper wire only)**

Single core wire or stranded wire KG20B/KG32B:6mm<sup>2</sup> KG41B:16mm<sup>2</sup>  
Flexible wire KG20B/KG32B:4mm<sup>2</sup>KG41B:10mm<sup>2</sup>

**Dimensions**



	<b>KG32B/KG41B</b>
B	145
E	124
F	229
H	107
K	250

**Mounting**

- Insulated enclosure, protection IP66/67, Class II insulation, knock-out entries, black handle and contrasting grey escutcheon plate, OFF-position lockable with padlocks, switch interlocked with lid to prevent opening in 'ON' position, optional Red/Yellow handle available for use as Main/Emergency Off DC Switch-Disconnector.

**Connection Guide**

Connecting diagram	Tightening torque for terminal screws	Strip length
	KG32B 1,25Nm	KG32B <sup>9</sup>
	KG41B 1,80Nm	KG41B <sup>10</sup>

**Maximum permissible wire gauge (use copper wire only)**

Single core wire or stranded wire	KG32B:6mm <sup>2</sup>	KG41B:16mm <sup>2</sup>
Flexible wire	KG32B:4mm <sup>2</sup>	KG41B:10mm <sup>2</sup>



DC Switch-Disconnectors for solar photovoltaic (PV) power supply system acc. to IEC 60364-7-712:2002.

**General Data**

- Switch-Disconnectors according to EN 60947-3 respectively VDE 0660 part 107
- Utilisation Category: DC-21B for Photovoltaic application
- Ambient Temperature: 50°C during 24 hours with peaks up to 55°C
- Terminals: Finger-proof according to VDE 0660-514 and BGV A3, IP 20
- Insulation Voltage: 1000V
- 2 Pole, 8 contacts (2x4 in series)

**Rated Value & Order Number**

Operational voltage	Operational current	Order number
880V	40A	<b>KG41B T108/D-P003 KL11V</b>
920V	40A	<b>KG41B T108/D-P003 KL11V</b>
1000V	26A	<b>KG32B T108/D-P003 KL11V</b>
1000V	35A	<b>KG41B T108/D-P003 KL11V</b>

Data valid only if the pre-assembled jumpers have not been modified.



DC Switch-Disconnectors for solar photovoltaic (PV) power supply system acc. to IEC 60364-7-712:2002.

**General Data**

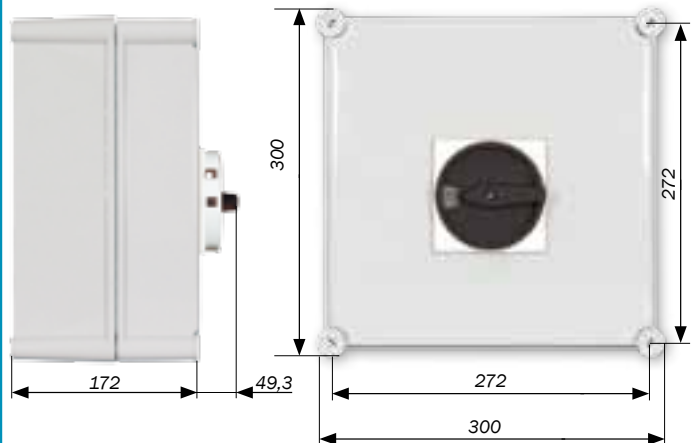
- Switch-Disconnectors according to EN 60947-3 respectively VDE 0660 part 107
- Utilisation Category: DC-21B for Photovoltaic application
- Ambient Temperature: 50°C during 24 hours with peaks up to 55°C
- Terminals: Finger-proof according to VDE 0660-514 and BGV A3, IP 20
- Insulation Voltage: 1000V
- T106 – 2 Pole, 6 contacts (2x3 in series)
- T108 – 2 Pole, 8 contacts (2x4 in series)

**Rated Value & Order Number**

Operational voltage	Operational current	Order number
450V	60A	<b>KG80C T106/D-P003 STM</b>
500V	60A	<b>KG80C T106/D-P003 STM</b>
650V	60A	<b>KG80C T106/D-P003 STM</b>
800V	60A	<b>KG80C T108/D-P003 STM</b>

Data valid only if the pre-assembled jumpers have not been modified.

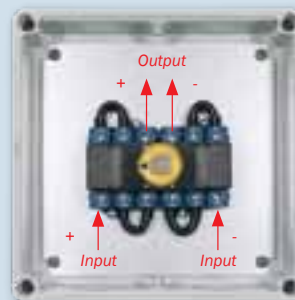
**Dimensions**



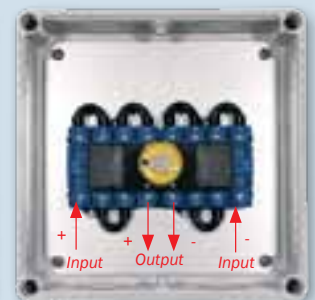
**Mounting**

- Insulated enclosure, protection IP66/67, Class II Insulation, black handle and contrasting grey escutcheon plate, OFF-position lockable with padlocks, switch interlocked with lid to prevent opening in 'ON' position, optional Red/Yellow handle available for use as Main/Emergency-Off DC Switch-Disconnecter.

**Connection Guide**



Contact development: 2 pole  
6 contact per circuit  
(2 x 3 in series)



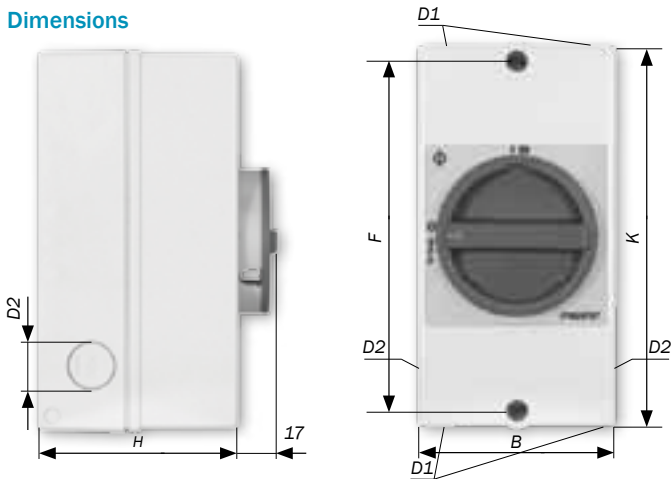
Contact development: 2 pole  
8 contact per circuit  
(2 x 4 in series)

Connecting diagram 6 contacts	Connecting diagram 8 contacts	Tightening torque for terminal screws	Strip length
		KG80C 3,00Nm	KG80C

**Maximum permissible wire gauge (use copper wire only)**

Single core wire or stranded wire KG80C:50mm<sup>2</sup>  
Flexible wire KG80C:35mm<sup>2</sup>

**Dimensions**



	<b>KG20/KG32</b>	<b>KG41</b>
B	85	100
D1	4 x Ø 20	4 x Ø 25
D2	2 x Ø 20	2 x Ø 25
F	150	178
H	82	93
K	160	190



DC Switch-Disconnectors for solar photovoltaic (PV) power supply system acc. to IEC 60364-7-712:2002.

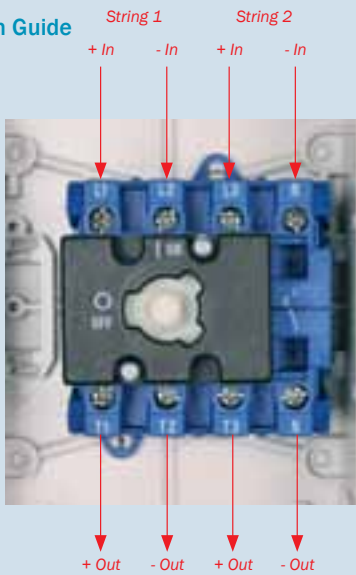
**General Data**

- Switch-Disconnectors according to EN 60947-3 respectively VDE 0660 part 107
- Utilisation Category: DC-21B for Photovoltaic application
- Ambient Temperature: 50°C during 24 hours with peaks up to 55°C
- Terminals: Finger-proof according to VDE 0660-514 and BGV A3, IP 20
- 4 Pole, 2x2 contacts per string

**Mounting**

- Insulated enclosure, protection IP66/67, Class II Insulation, knock-out entries, black handle and contrasting grey escutcheon plate, OFF-position lockable with padlocks, switch interlocked with lid to prevent opening in 'ON' position, optional Red/Yellow handle available for use as Main/Emergency-Off DC Switch-Disconnector.

**Connection Guide**



<b>Connecting diagram</b>	<b>Tightening torque for terminal screws</b>	<b>Strip length</b>																				
<table border="0"> <tr> <td>String 1</td> <td>String 2</td> </tr> <tr> <td>In In</td> <td>In In</td> </tr> <tr> <td>+ -</td> <td>+ -</td> </tr> <tr> <td>↓ ↓</td> <td>↓ ↓</td> </tr> <tr> <td>L1 L2</td> <td>L3 N</td> </tr> <tr> <td>⎓ ⎓</td> <td>⎓ ⎓</td> </tr> <tr> <td>T1 T2</td> <td>T3 N</td> </tr> <tr> <td>↓ ↓</td> <td>↓ ↓</td> </tr> <tr> <td>+ -</td> <td>+ -</td> </tr> <tr> <td>Out Out</td> <td>Out Out</td> </tr> </table>	String 1	String 2	In In	In In	+ -	+ -	↓ ↓	↓ ↓	L1 L2	L3 N	⎓ ⎓	⎓ ⎓	T1 T2	T3 N	↓ ↓	↓ ↓	+ -	+ -	Out Out	Out Out	<p>KG20/ KG32 1,25Nm</p> <p>KG41 1,80Nm</p>	<p>KG20/ 9</p> <p>KG32</p> <p>KG41 10</p>
String 1	String 2																					
In In	In In																					
+ -	+ -																					
↓ ↓	↓ ↓																					
L1 L2	L3 N																					
⎓ ⎓	⎓ ⎓																					
T1 T2	T3 N																					
↓ ↓	↓ ↓																					
+ -	+ -																					
Out Out	Out Out																					

**Maximum permissible wire gauge (use copper wire only)**  
 Single core wire or stranded wire KG20/KG32:6mm<sup>2</sup> KG41:16mm<sup>2</sup>  
 Flexible wire KG20/KG32:4mm<sup>2</sup> KG41:10mm<sup>2</sup>

**Rated Value & Order Number**

<b>Operational voltage</b>	<b>Operational current</b>	<b>Order number</b>
220V	25A	<b>KG20 T104/GB-P103 KL51V</b>
220V	40A	<b>KG41 T104/GB-P103 KL11V</b>
280V	21A	<b>KG20 T104/GB-P103 KL51V</b>
280V	28A	<b>KG32 T104/GB-P103 KL51V</b>
340V	20A	<b>KG20 T104/GB-P103 KL51V</b>
340V	25A	<b>KG32 T104/GB-P103 KL51V</b>
400V	18A	<b>KG20 T104/GB-P103 KL51V</b>
400V	23A	<b>KG32 T104/GB-P103 KL51V</b>
460V	11A	<b>KG20 T104/GB-P103 KL51V</b>
460V	15A	<b>KG32 T104/GB-P103 KL51V</b>
500V	12A	<b>KG32 T104/GB-P103 KL51V</b>

Data valid only if the pre-assembled jumpers have not been modified.



DC Switch-Disconnectors for solar photovoltaic (PV) power supply system acc. to IEC 60364-7-712:2002.

**General Data**

- Switch-Disconnectors according to EN 60947-3 respectively VDE 0660 part 107
- Utilisation Category: DC21B for Photovoltaic application
- Ambient Temperature: 50°C during 24 hours with peaks up to 55°C
- Terminals: Finger-proof according to VDE 0660-514 and BGV A3, IP 20
- 4 Pole, 2x3 contacts per string

**Mounting**

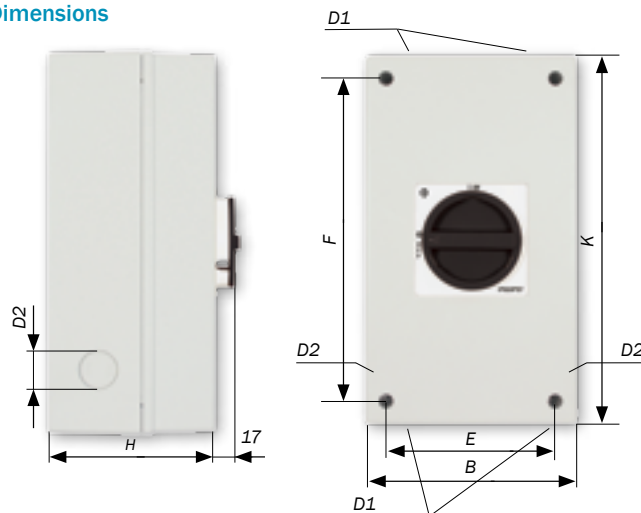
- Insulated enclosure, protection IP66/67, Class II Insulation, knock-out entries, black handle and contrasting grey escutcheon plate, OFF-position lockable with padlocks, switch interlocked with lid to prevent opening in 'ON' position, optional Red/Yellow handle available for use as Main/Emergency-Off DC Switch-Disconnecter.

**Rated Value & Order Number**

Operational voltage	Operational current	Order number
330V	25A	<b>KG20B T106/GB-P103 KL11V</b>
330V	40A	<b>KG41B T106/GB-P103 KL11V</b>
420V	21A	<b>KG20B T106/GB-P103 KL11V</b>
420V	27A	<b>KG32B T106/GB-P103 KL11V</b>
420V	28A	<b>KG41B T106/GB-P103 KL11V</b>
510V	20A	<b>KG20B T106/GB-P103 KL11V</b>
510V	25A	<b>KG32B T106/GB-P103 KL11V</b>
600V	18A	<b>KG20B T106/GB-P103 KL11V</b>
600V	23A	<b>KG32B T106/GB-P103 KL11V</b>
690V	11A	<b>KG20B T106/GB-P103 KL11V</b>
690V	15A	<b>KG32B T106/GB-P103 KL11V</b>
750V	12A	<b>KG32B T106/GB-P103 KL11V</b>

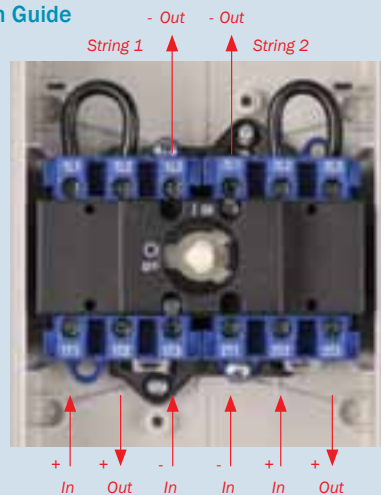
Data valid only if the pre-assembled jumpers have not been modified.

**Dimensions**



	<b>KG20B/KG32B</b>	<b>KG41B</b>
B	100	145
E	-	124
D1	4 x Ø 25	4 x Ø 25
D2	2 x Ø 25	2 x Ø 25
F	178	229
H	93	107
K	190	250

**Connection Guide**

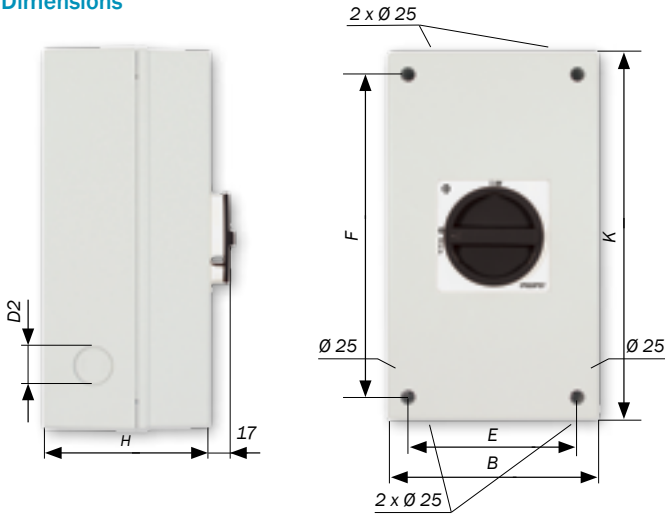


Connecting diagram	Tightening torque for terminal screws	Strip length
	KG20B/ 1,25Nm KG32B	KG20B/ <sup>9</sup>
	KG41B 1,80Nm	KG41B <sup>10</sup>

**Maximum permissible wire gauge (use copper wire only)**

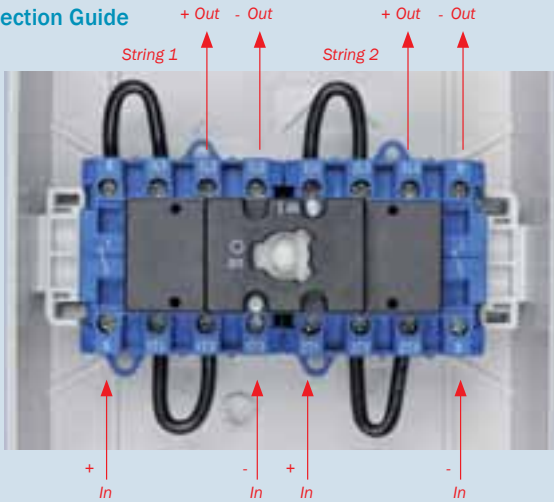
Single core wire	KG20B/KG32B:6mm <sup>2</sup>	KG41B:16mm <sup>2</sup>
or stranded wire		
Flexible wire	KG20B/KG32B:4mm <sup>2</sup>	KG41B:10mm <sup>2</sup>

**Dimensions**



KG20B/KG32B/KG41B	
B	145
E	124
F	229
H	107
K	250

**Connection Guide**



Connecting diagram	Tightening torque for terminal screws	Strip length
	KG20B/ 1,25Nm KG32B	KG20B/ 9 KG32B
	KG41B 1,80Nm	KG41B 10

**Maximum permissible wire gauge (use copper wire only)**  
 Single core wire or stranded wire: KG20B/KG32B:6mm<sup>2</sup> KG41B:16mm<sup>2</sup>  
 Flexible wire: KG20B/KG32B:4mm<sup>2</sup> KG41B:10mm<sup>2</sup>



DC Switch-Disconnectors for solar photovoltaic (PV) power supply system acc. to IEC 60364-7-712:2002.

**General Data**

- Switch-Disconnectors according to EN 60947-3 respectively VDE 0660 part 107
- Utilisation Category: DC-21B for Photovoltaic application
- Ambient Temperature: 50°C during 24 hours with peaks up to 55°C
- Terminals: Finger-proof according to VDE 0660-514 and BGV A3, IP 20
- 4 Pole, 2x4 contacts per string

**Mounting**

- Insulated enclosure, protection IP66/67, Class II Insulation, knock-out entries, black handle and contrasting grey escutcheon plate, OFF-position lockable with padlocks, switch interlocked with lid to prevent opening in 'ON' position, optional Red/Yellow handle available for use as Main/Emergency-Off DC Switch-Disconnector.

**Rated Value & Order Number**

Operational voltage	Operational current	Order number
440V	25A	<b>KG20B T108/GB-P103 KL11V</b>
440V	40A	<b>KG41B T108/GB-P103 KL11V</b>
560V	21A	<b>KG20B T108/GB-P103 KL11V</b>
560V	26A	<b>KG32B T108/GB-P103 KL11V</b>
560V	28A	<b>KG41B T108/GB-P103 KL11V</b>
680V	20A	<b>KG20B T108/GB-P103 KL11V</b>
680V	25A	<b>KG32B T108/GB-P103 KL11V</b>
800V	18A	<b>KG20B T108/GB-P103 KL11V</b>
800V	23A	<b>KG32B T108/GB-P103 KL11V</b>
920V	11A	<b>KG20B T108/GB-P103 KL11V</b>
920V	15A	<b>KG32B T108/GB-P103 KL11V</b>
1000V	12A	<b>KG32B T108/GB-P103 KL11V</b>

Data valid only if the pre-assembled jumpers have not been modified.



Main/Emergency - Off AC Switch-Disconnectors for solar photovoltaic (PV) power supply system acc. to IEC 60947.

**General Data**

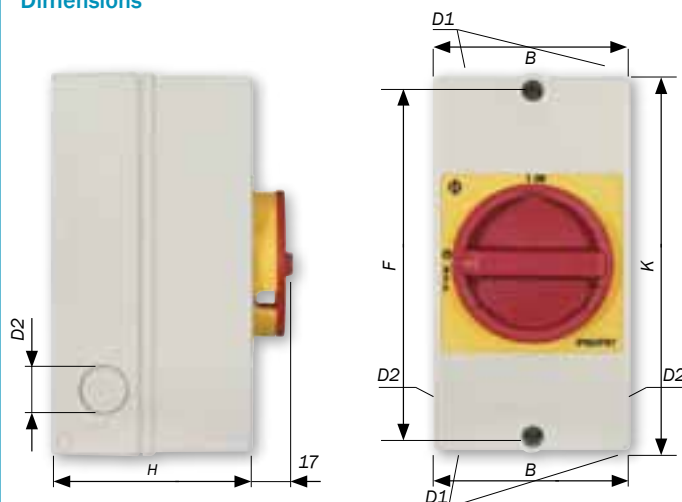
- Switch-Disconnectors according to EN 60947-3 respectively VDE 0660 part 107
- Ambient Temperature: 35°C average during 24 hours with peaks up to 40°C
- Terminals: Finger-proof according to VDE 0660-514 and BGV A3, IP 20

**Rated Value & Order Number**

Operational current AC-21A	Insulation voltage Ui	Enclosed thermal rating I	Order number
25A	690V	25A	<b>KG20 T203/GBA270 *KS1V</b>
25A	690V	25A	<b>KG20 T203/GBA294 *KL†</b>
32A	690V	32A	<b>KG32 T203/GBA294 *KL†</b>
40A	690V	40A	<b>KG41 T203/GBA270 *KL1V†</b>

† Larger enclosure to match KG20/32 T104 DC enclosure

**Dimensions**



	KG20...KS	KG20/KG32...KL	KG41
B	85	85	100
D1	4 x Ø 20/25	4 x Ø 20	4 x Ø 25
D2	2 x Ø 20	2 x Ø 20	2 x Ø 25
F	110	150	178
H	90	82	93
K	120	160	190

**Mounting**

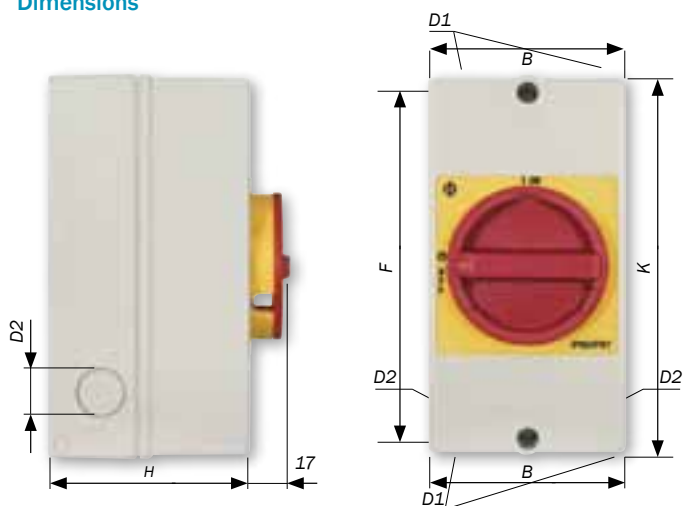
- Insulated enclosure, protection IP66/67, insulated, knock-out entries, red handle and contrasting yellow escutcheon plate, OFF-position lockable with padlocks, switch interlocked with lid to prevent opening in 'ON' position. Earth terminal included as standard. Optional Black/Grey handle available for use as Main Switch.

Connecting diagram	Tightening torque for terminal screws	Strip length
	KG20/ KG32      1,25Nm	KG20/ <sup>9</sup> KG32
	KG41      1,80Nm	KG41 <sup>10</sup>

**Maximum permissible wire gauge (use copper wire only)**

Single core or stranded wire      KG20/KG32:6mm<sup>2</sup>    KG41:16mm<sup>2</sup>  
 Flexible wire                              KG20/KG32:4mm<sup>2</sup>    KG41:10mm<sup>2</sup>

**Dimensions**



	KG20...KS	KG20/KG32...KL	KG41
B	85	85	100
D1	4 x Ø 20/25	4 x Ø 20	4 x Ø 25
D2	2 x Ø 20	2 x Ø 20	2 x Ø 25
F	110	150	178
H	90	82	93
K	120	160	190

**Mounting**

- Insulated enclosure, protection IP66/67, insulated, knock-out entries, red handle and contrasting yellow escutcheon plate, OFF-position lockable with padlocks, switch interlocked with lid to prevent opening in 'ON' position. Earth terminal included as standard. Optional Black/Grey handle available for use as Main Switch.

Main/Emergency - Off AC Switch-Disconnectors for solar photovoltaic (PV) power supply system acc. to IEC 60947.

**General Data**

- Switch-Disconnectors according to EN 60947-3 respectively VDE 0660 part 107
- Ambient Temperature: 35°C average during 24 hours with peaks up to 40°C
- Terminals: Finger-proof according to VDE 0660-514 and BGV A3, IP 20
- 4 Pole (3 phase and switched neutral)

**Rated Value & Order Number**

Operational current AC-21A, I <sub>e</sub>	Insulation voltage U <sub>i</sub>	Enclosed thermal rating I	Order number
25A	690V	25A	<b>KG20 T204/GBA290 *KS1V</b>
25A	690V	25A	<b>KG20 T204/GBA486 KL51V †</b>
32A	690V	32A	<b>KG32 T204/GBA486 KL51V †</b>
40A	690V	40A	<b>KG41 T204/GBA290 *KL1V</b>

† Larger enclosure to match KG20/32 T104 DC enclosure

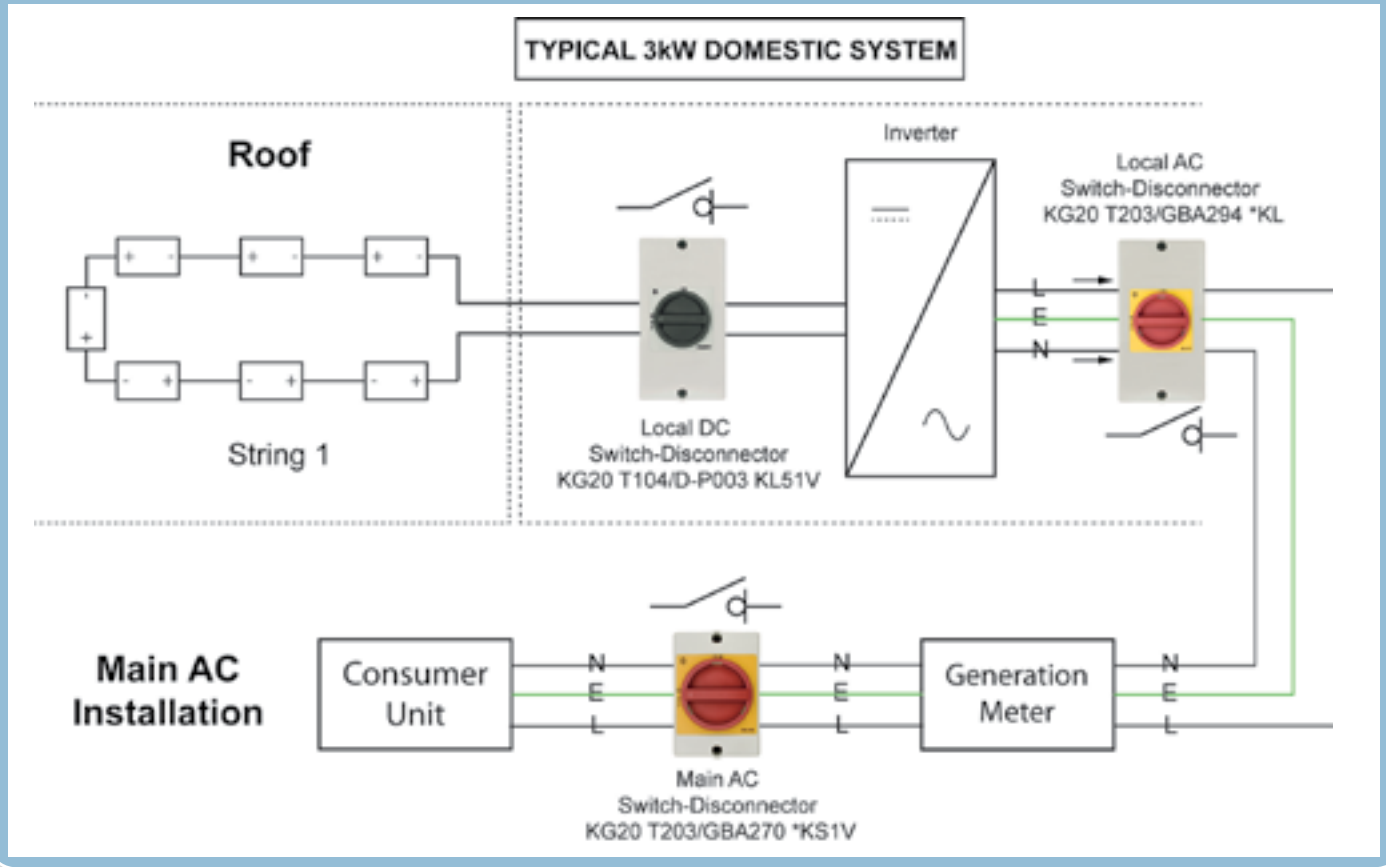


Connecting diagram	Tightening torque for terminal screws	Strip length
	KG20/ KG32      1,25Nm	KG20/ <sup>9</sup> KG32
	KG41      1,80Nm	KG41 <sup>10</sup>

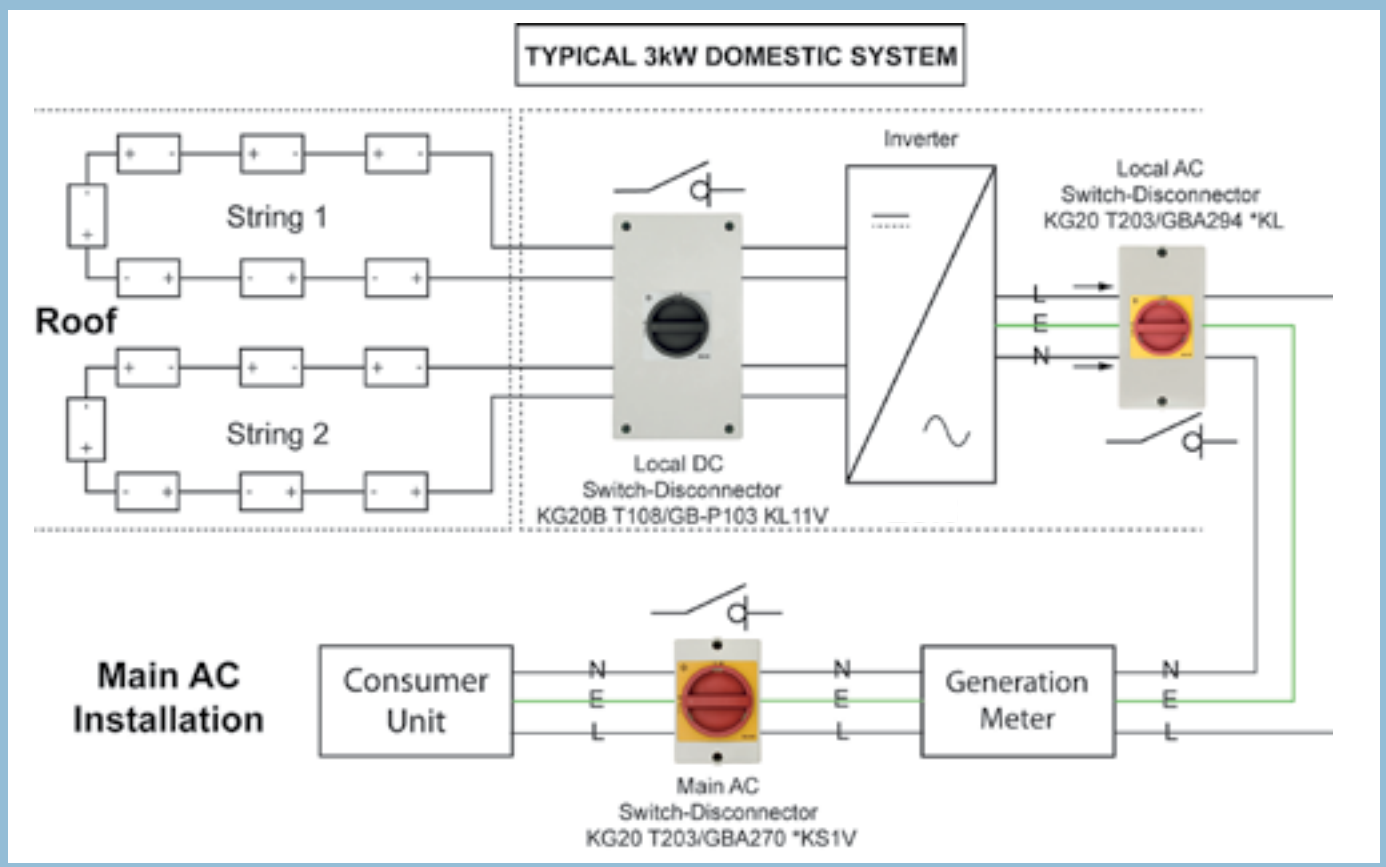
**Maximum permissible wire gauge (use copper wire only)**

Single core or stranded wire	KG20/KG32:6mm <sup>2</sup>	KG41:16mm <sup>2</sup>
Flexible wire	KG20/KG32:4mm <sup>2</sup>	KG41:10mm <sup>2</sup>

Single String



Two String



## PV Disconnect Switches – Enclosed • DC-21B Rating Information @ 50 °C &amp; 60 °C.

Ambient Temp	Max Thermal Rating	Rated Operating Voltage & Current								Order code
		440V	450V	500V	560V	680V	800V	920V	1000V	
50 °C	25A	25A	25A	21A	21A	20A	18A	11A	-	KG20 T104/D-P003 KL51V
60 °C	23A	23A	23A	21A	21A	20A	18A	11A	-	
50 °C	28A	28A	28A	28A	28A	25A	23A	15A	12A	KG32 T104/D-P003 KL51V
60 °C	23A	23A	23A	23A	23A	23A	23A	15A	12A	
50 °C	40A	40A	40A	28A	28A	25A	23A	10A	-	KG41 T104/D-P003 KL11V
60 °C	40A	40A	40A	28A	28A	25A	23A	10A	-	

Ambient Temp	Max Thermal Rating	Rated Operating Voltage & Current							Order code
		480V	500V	650V	660V	800V	840V	1000V	
50 °C	25A	25A	25A	25A	25A	21A	21A	20A	KG20B T106/D-P003 KL11V
60 °C	22A	22A	22A	22A	22A	21A	21A	20A	
50 °C	27A	27A	27A	27A	27A	27A	27A	25A	KG32B T106/D-P003 KL11V
60 °C	22A	22A	22A	22A	22A	22A	22A	22A	
50 °C	40A	40A	40A	40A	40A	28A	28A	25A	KG41B T106/D-P003 KL11V
60 °C	40A	40A	40A	40A	40A	28A	28A	25A	
50 °C	60A	60A	60A	60A	60A	-	-	-	KG80C T106/D-P003 STM
60 °C	60A	60A	60A	60A	60A	-	-	-	

Ambient Temp	Max Thermal Rating	Rated Operating Voltage & Current				Order code
		640V	880V	920V	1000V	
50 °C	25A	25A	25A	25A	21A	KG20B T108/D-P003 KL11V
60 °C	20A	20A	20A	20A	20A	
50 °C	26A	26A	26A	26A	26A	KG32B T108/D-P003 KL11V
60 °C	20A	20A	20A	20A	20A	
50 °C	40A	40A	40A	40A	35A	KG41B T108/D-P003 KL11V
60 °C	35A	35A	35A	35A	35A	
50 °C	60A	60A	60A	-	-	KG80C T108/D-P003 STM
60 °C	55A	55A	55A	-	-	

Rated insulation voltage: 1000V (all types)

The ratings given in the above tables are in accordance with the requirements of IEC/EN 60947-3, utilisation category DC-21B

Ratings in accordance with utilisation category DC-21B are suitable for use in the selection of an isolator switch that is required to isolate a P.V. string input to a P.V. inverter.

## PV Disconnect Switches for 2 Strings – Enclosed • DC-21B. Rating Information @ 50 °C &amp; 60 °C

Ambient Temp	Max Thermal Rating	Rated Operating Voltage & Current						Order code
		220V	280V	340V	400V	460V	500V	
50 °C	25A	25A	21A	20A	18A	11A	-	KG20 T104/GB-P103 KL51V
60 °C	23A	23A	21A	20A	18A	11A	-	
50 °C	28A	28A	28A	25A	23A	15A	12A	KG32 T104/GB-P103 KL51V
60 °C	23A	23A	23A	23A	23A	15A	12A	
50 °C	40A	40A	28A	25A	23A	10A	-	KG41 T104/GB-P103 KL11V
60 °C	40A	40A	28A	25A	23A	10A	-	

Ambient Temp	Max Thermal Rating	Rated Operating Voltage & Current						Order code
		330V	420V	510V	600V	690V	750V	
50 °C	25A	25A	21A	20A	18A	11A	-	KG20B T106/GB-P103 KL11V
60 °C	23A	22A	21A	20A	18A	11A	-	
50 °C	27A	27A	27A	25A	23A	15A	12A	KG32B T106/GB-P103 KL11V
60 °C	22A	22A	22A	22A	22A	15A	12A	
50 °C	40A	40A	28A	25A	23A	10A	-	KG41B T106/GB-P103 KL11V
60 °C	40A	40A	28A	25A	23A	10A	-	

Ambient Temp	Max Thermal Rating	Rated Operating Voltage & Current						Order code
		440V	560V	680V	800V	920V	1000V	
50 °C	25A	25A	21A	20A	18A	11A	-	KG20B T108/GB-P103 KL11V
60 °C	20A	20A	20A	20A	18A	11A	-	
50 °C	26A	26A	26A	25A	23A	15A	12A	KG32B T108/GB-P103 KL11V
60 °C	20A	20A	20A	20A	20A	15A	12A	
50 °C	40A	40A	28A	25A	23A	10A	-	KG41B T108/GB-P103 KL11V
60 °C	35A	35A	28A	25A	23A	10A	-	

Rated insulation voltage: 1000V (all types)

The ratings given in the above tables are in accordance with the requirements of IEC/EN 60947-3, utilisation category DC-21B  
Ratings in accordance with utilisation category DC-21B are suitable for use in the selection of an isolator switch that is required to isolate a P.V. string input to a P.V. inverter.



Kraus & Naimer

**Kraus & Naimer's Blue Line products are accepted  
and universally recognised for their quality and workmanship.**

Kraus & Naimer Limited is part of the worldwide Kraus & Naimer Group  
which celebrated its 100 year anniversary in 2007.

In 1963, Kraus & Naimer Limited was established as the UK sales and marketing company for  
Kraus & Naimer switchgear. By the early 70's successful growth meant a move to its current purpose-built premises in  
Newbury, where it supplies over 3,000 customers with world-renowned, high quality Blue Line switchgear products.

A key to our success is the outstanding level of technical product support through our dedicated team of internal and  
external technical sales engineers. With many years experience, training and unbeatable product knowledge  
the team can find a suitable solution for most switch applications.

**[www.krausnaimer.co.uk](http://www.krausnaimer.co.uk)**  
**e: [sales-uk@krausnaimer.com](mailto:sales-uk@krausnaimer.com) t: 01635 262626**



# Kraus & Naimer

BLUE LINE switchgear

since 1907

115 London Road  
Newbury  
Berkshire  
RG14 2AH  
UK

Website: [www.krausnaimer.co.uk](http://www.krausnaimer.co.uk)  
Email: [sales-uk@krausnaimer.com](mailto:sales-uk@krausnaimer.com)

Detailed information relating  
to application, rating, mounting  
and correct installation

For free expert advice and  
technical help call our team  
**01635 262626**